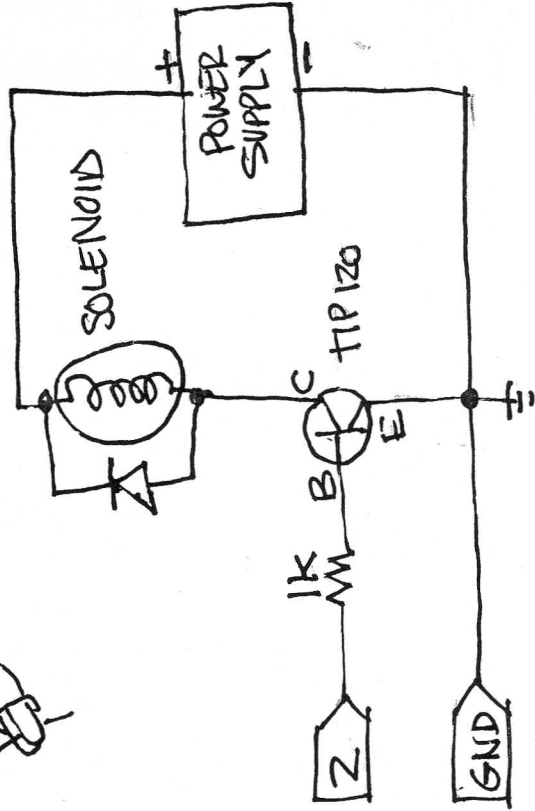
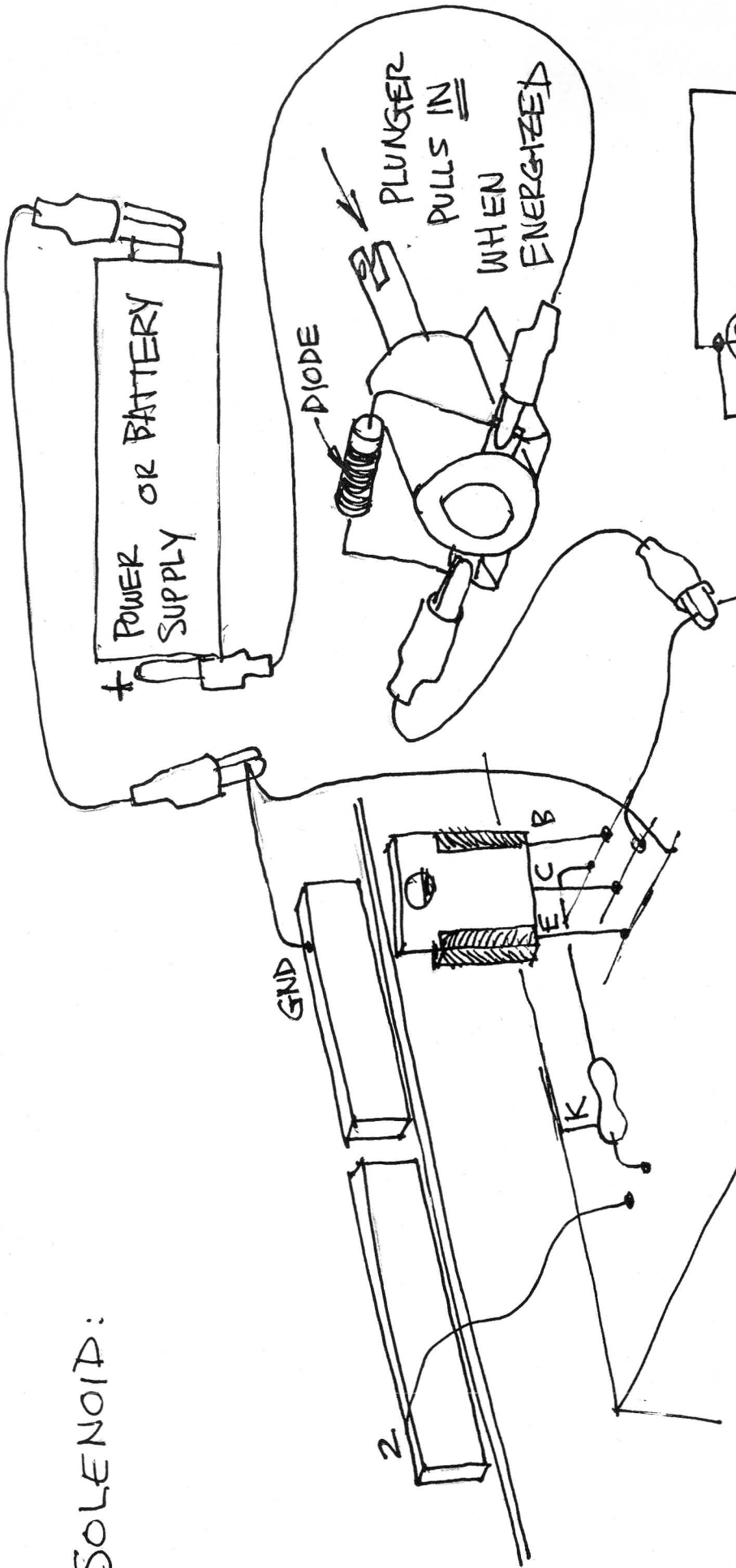


SOLENOID:



NOTE: SIZE YOUR POWER SUPPLY TO THE SOLENOID VOLTAGE.. A 12VDC SOLENOID NEEDS A 12VDC POWER SUPPLY! THE PLUNGER PULLS IN WHEN THE COIL IS ENERGIZED.